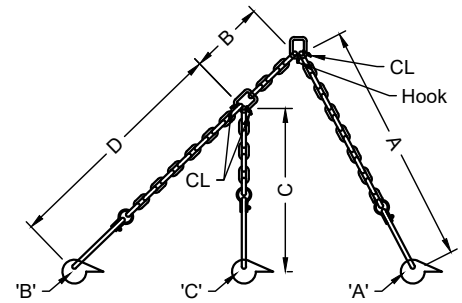


How to Use Lift Anchors for Setting Pipe

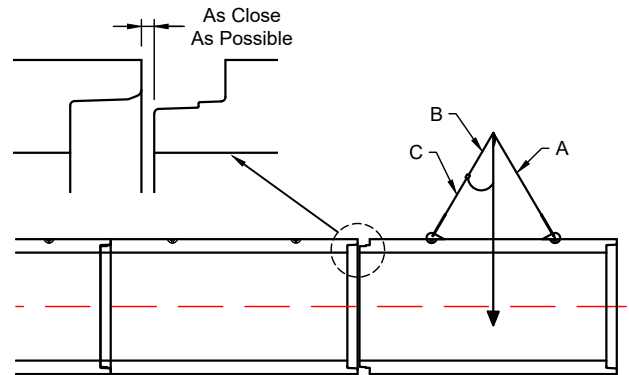
Lift Anchors in concrete pipe can be used to "home" or pull the product into its final position with a special chain sling such as the P-74-S Pipe Laying Sling by Dayton Superior, shown below.

Length of Chain	
A	1440
B	400
C	1040
D	1940

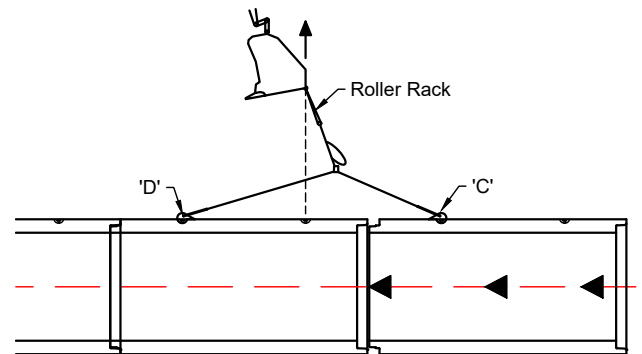


The following procedures are published in Guidelines for Handling Concrete Pipe and Utility Products by Dayton Superior, and available from the CCPPA.

1. The pipe is first transported to the installation site with the symmetrical sling and lowered close to the already placed pipe.

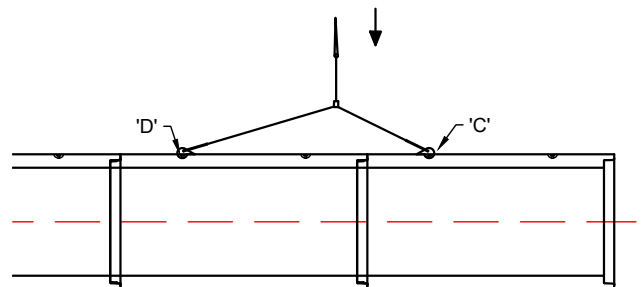


2. The long leg of the Pipe Laying Sling is attached to the farthest anchor on the previously laid pipe. The free leg is attached – out of the way – on the clevis link provided.
3. Locate the center of lift over the closest anchor of the previously laid pipe. This will properly align the direction of pull.
4. The pipe is pulled into position by slowly raising the boom on the crane or backhoe without moving the boom forward or backward.

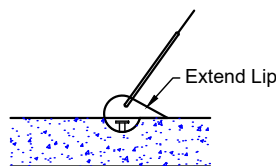
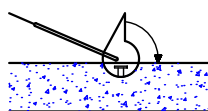
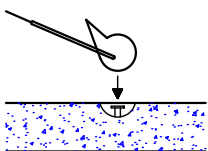


5. When the pipe has been pulled into position, the load is released and the Pipe Laying System is moved to the next pipe, and the process is repeated.

Warning: Anchors can become overloaded and fail if the crane or backhoe continues to apply load after the connection has been completed.



How to Use the Clutches



SVI (1977 LTD.)
SOURIS VALLEY INDUSTRIES