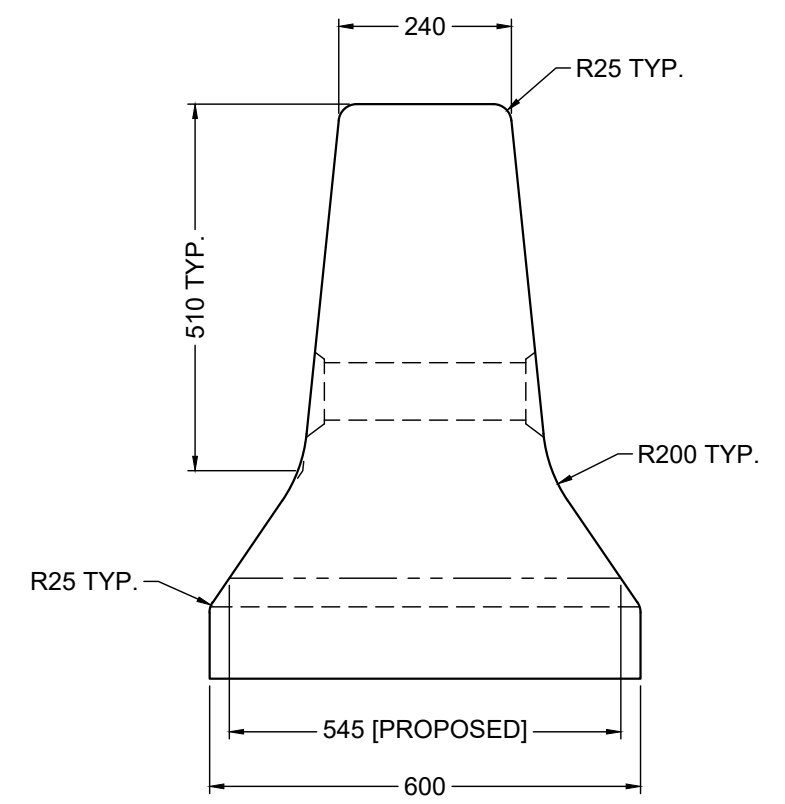
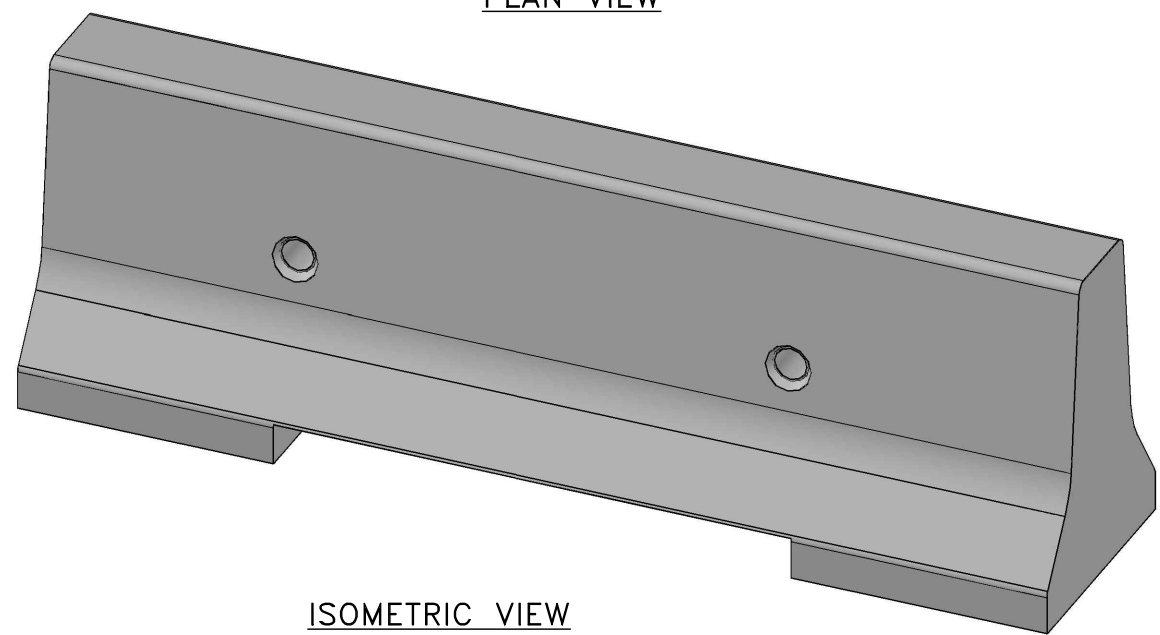


PLAN VIEW



SECTION A-A



ISOMETRIC VIEW

NOTES:

- 1) CEMENT : PORTLAND CEMENT TYPE 50(HS)
- 2) Max AGGREGATE SIZE: 20mm
- 3) 28 DAY STRENGTH: MIN. 35 MPa.
- 4) ENTRAINED AIR: 6%±1%
- 5) REINFORCING TO CAN/CSA-G30.18 400 MPa
- 6) ALL UNITS ARE IN MILLIMETERS UNLESS OTHERWISE NOTED.

TOTAL WEIGHT = 1663 kg



DWG. NO.	REFERENCE	NO.:	REVISION DESCRIPTION	BY	APP'D	DATE	DRW BY	SWM	2016/11/29
-	-	-	-	-	-	-	CH'K BY	-	-
-	-	-	-	-	-	-	AP'D BY	-	-
-	-	-	-	-	-	-	AP'D BY	-	-
-	-	-	-	-	-	-	AP'D BY	-	-
-	-	-	-	-	-	-	SCALE: 1:20	-	-

TITLE:		CONCRETE MEDIAN 2500 x 800 HIGH BARRIER DETAIL DRAWING	
PROJECT NO.:		JOB NO.:	
DRAWING NO.:	SVI-CM-2500-001A		