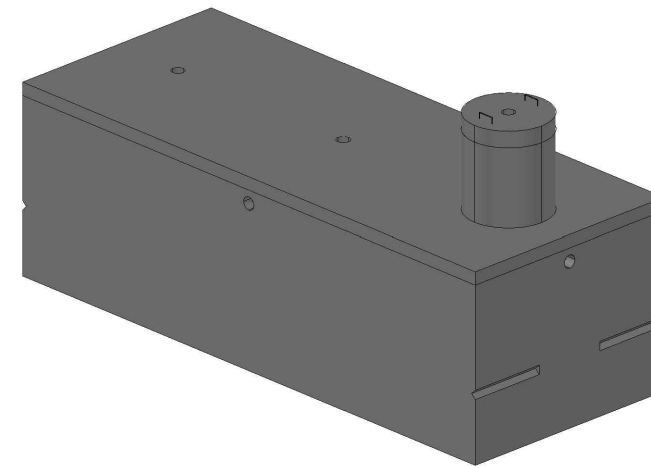
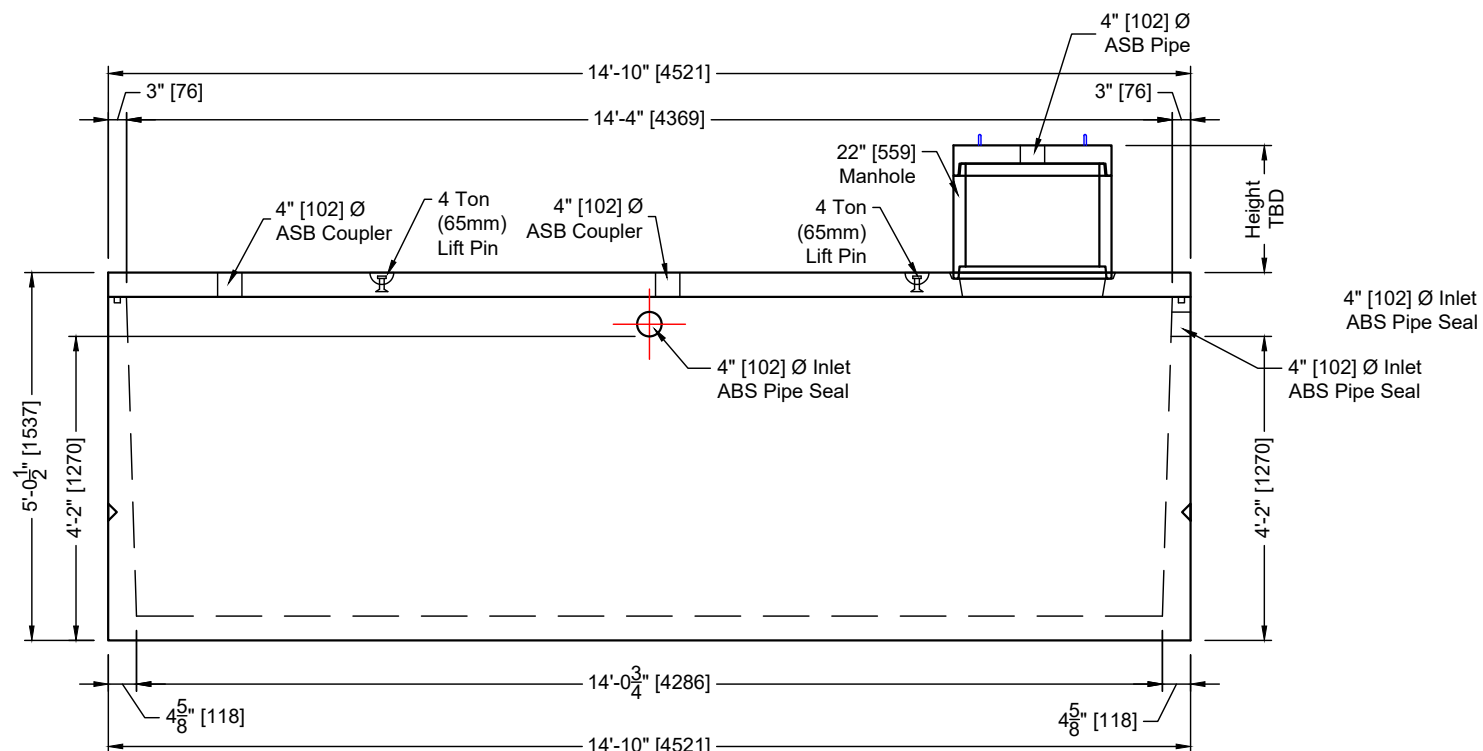


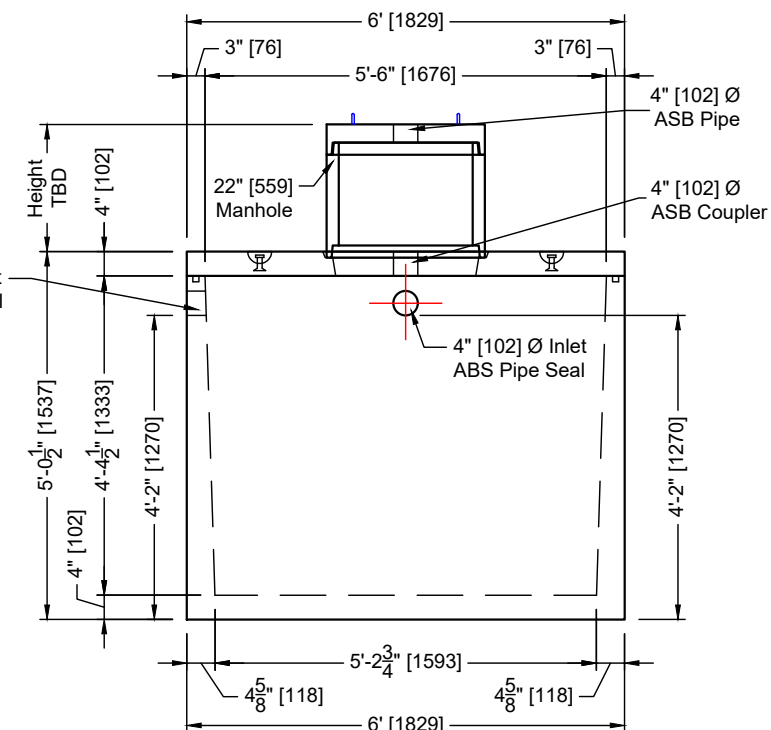
PLAN VIEW



ISOMETRIC VIEW



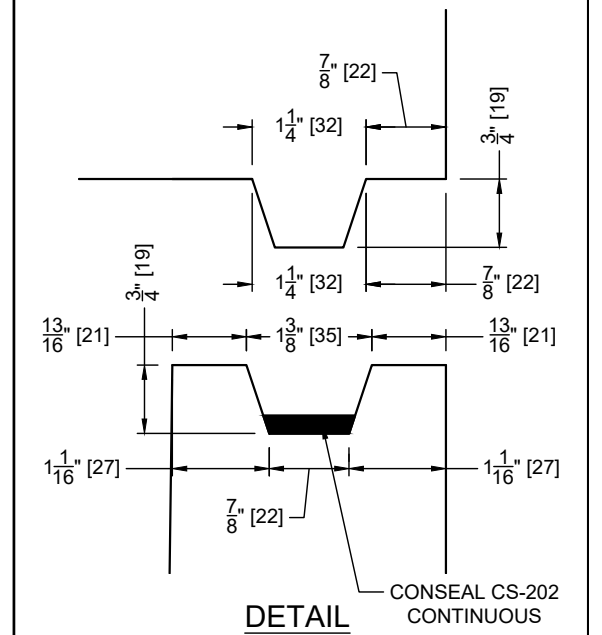
SECTION A-A



SECTION B-B



Hwy 39 & Range Road 2150 - PO Box 521
Weyburn, SK S4H 2K3 - NE-25-08-15 W2M
WWW.SVIPRECAST.COM



NOTES:

- 1) CERTIFIED TO CSA B66-16
- 2) MAX COVER = 7" (2133mm)
- 3) CEMENT : PORTLAND CEMENT TYPE 50(HS)
- 4) Max AGGREGATE SIZE: 20mm
- 5) 28 DAY STRENGTH: MIN. 35 MPa.
- 6) ENTRAINED AIR: 6%±1%
- 7) REINFORCING TO CAN/CSA-G30.18 400 MPa
- 8) ALL UNITS ARE IN MILLIMETERS UNLESS OTHERWISE NOTED.

DWG. NO.	REFERENCE	NO.:	REVISION DESCRIPTION	BY	APP'D	DATE	DRW BY	SWM	2020/11/17
-	-	A	ISSUED PLAN	-	-	2020/11/17	CH'K BY	-	-
-	-	-	-	-	-	-	AP'D BY	-	-
-	-	-	-	-	-	-	AP'D BY	-	-
-	-	-	-	-	-	-	SCALE: NTS	PAGE: 1 OF 1	-

TITLE:		2000 Gal Holding Tank DETAIL DRAWING	
PROJECT NO.:	JOB NO.:		
DRAWING NO.:	SVI-HT-2000-01A		