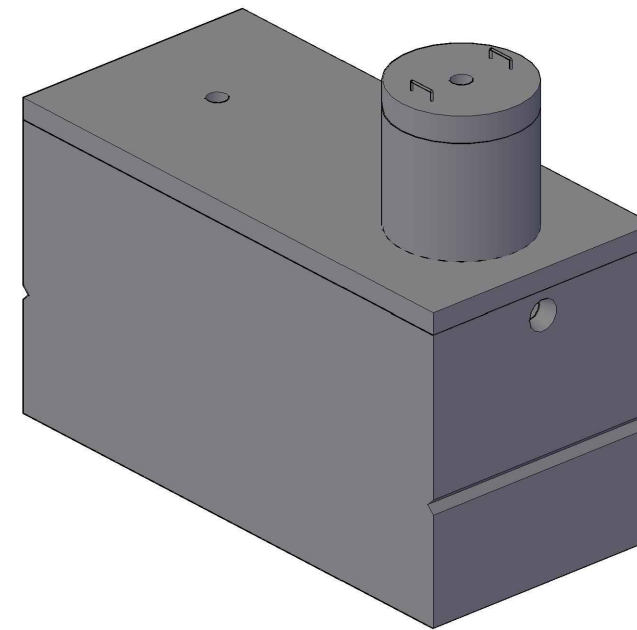
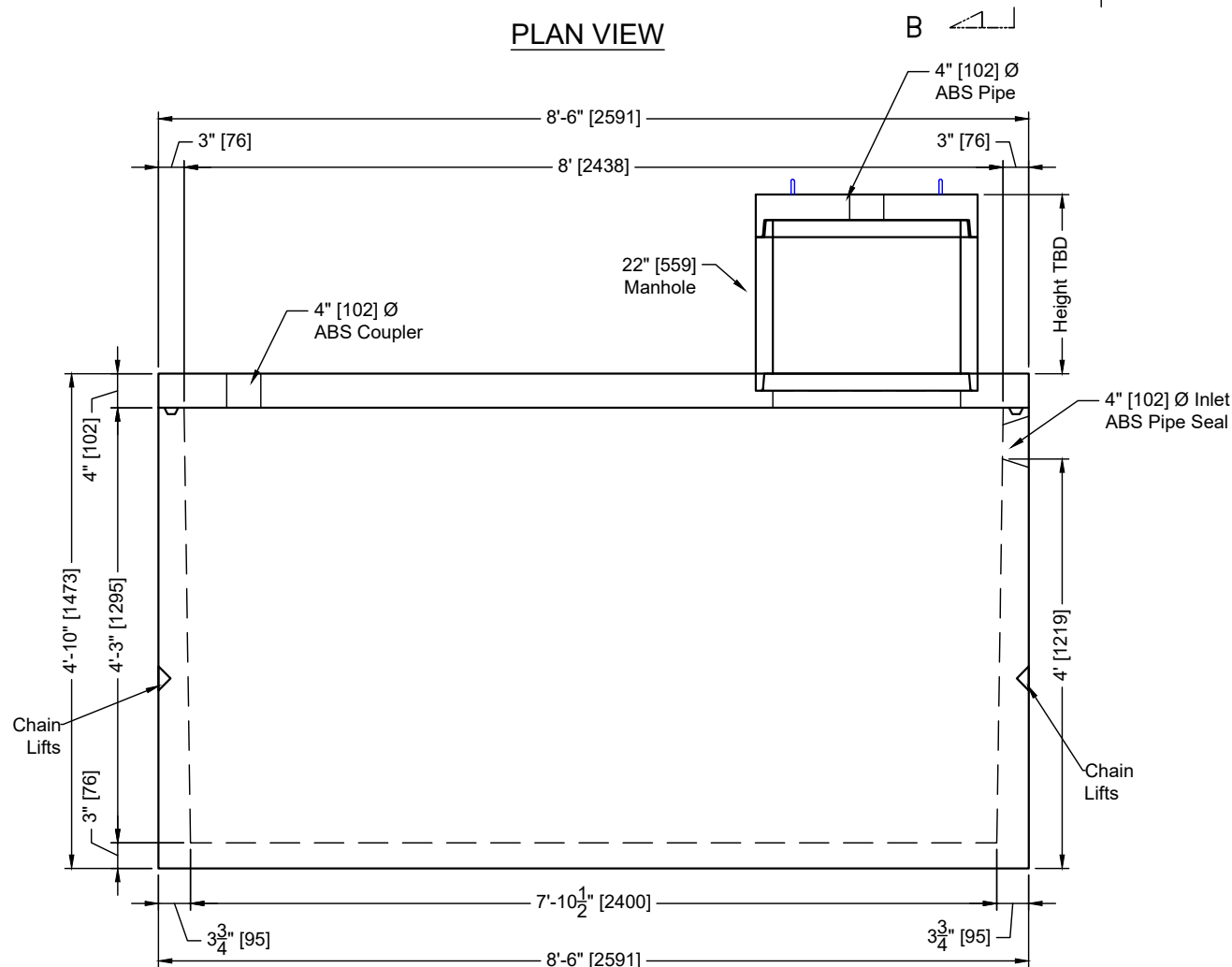


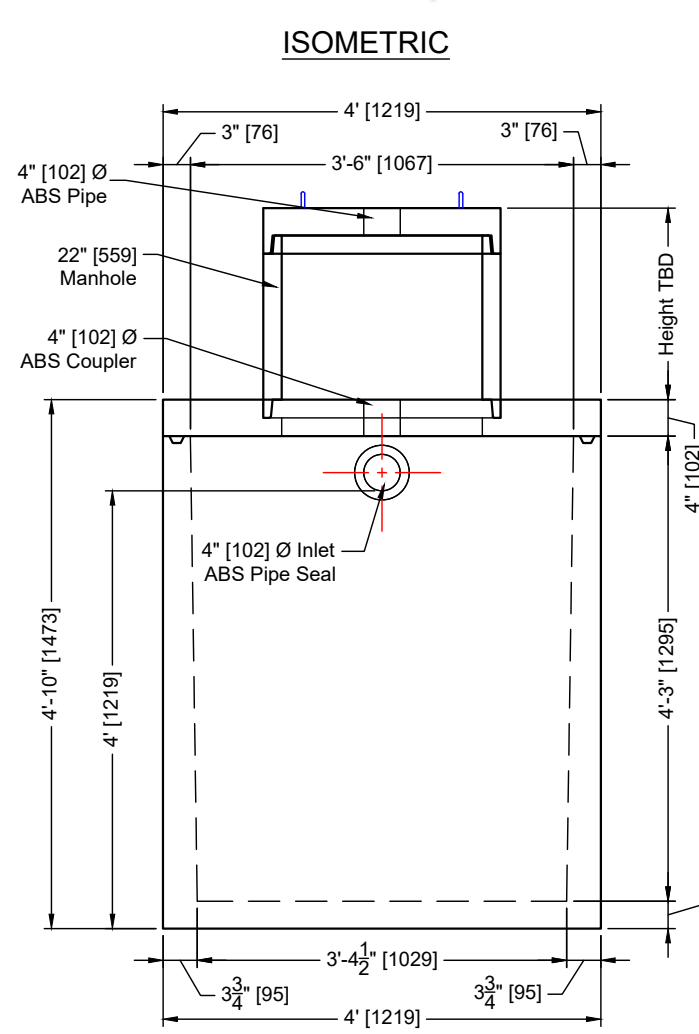
PLAN VIEW



ISOMETRIC



SECTION A-A

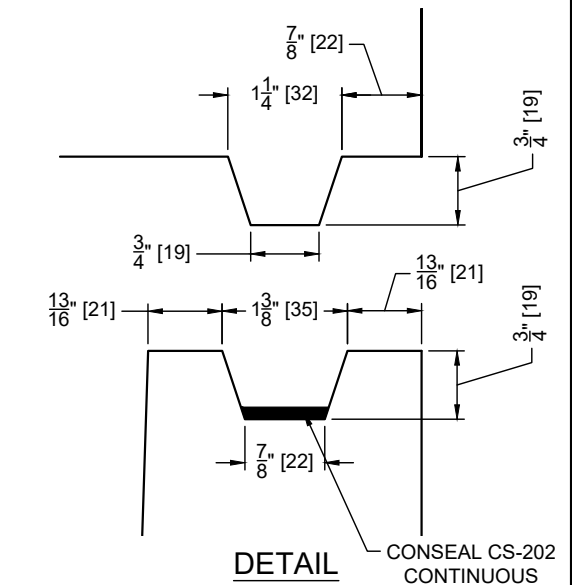


SECTION B-B



SOURIS VALLEY INDUSTRIES

Hwy 39 & Range Road 2150 - PO Box 521  
Weyburn, SK S4H 2K3 - NE-25-08-15 W2M  
WWW.SVIPRECAST.COM



NOTES:

- 1) CERTIFIED TO CSA B66-16
- 2) MAX COVER = 7" (213mm)
- 3) CEMENT : PORTLAND CEMENT TYPE 50(HS)
- 4) Max AGGREGATE SIZE: 20mm
- 5) 28 DAY STRENGTH: MIN. 35 MPa.
- 6) ENTRAINED AIR: 6%±1%
- 7) REINFORCING TO CAN/CSA-G30.18 400 MPa
- 8) ALL UNITS ARE IN MILLIMETERS UNLESS OTHERWISE NOTED.

DWG. NO.	REFERENCE	NO.:	REVISION DESCRIPTION	BY	APP'D	DATE	DRW BY	SWM	2020/11/13
-	-	A	ISSUED PLAN	-	-	2020/11/13	CH'K BY	-	-
-	-	-	-	-	-	-	AP'D BY	-	-
-	-	-	-	-	-	-	AP'D BY	-	-
-	-	-	-	-	-	-	SCALE: NTS	PAGE: 1 OF 1	-

TITLE:		<b>720 Gallon Holding Tank DETAIL DRAWING</b>	
PROJECT NO.:	JOB NO.:		
DRAWING NO.:	<b>SVI-HT-720-01A</b>		