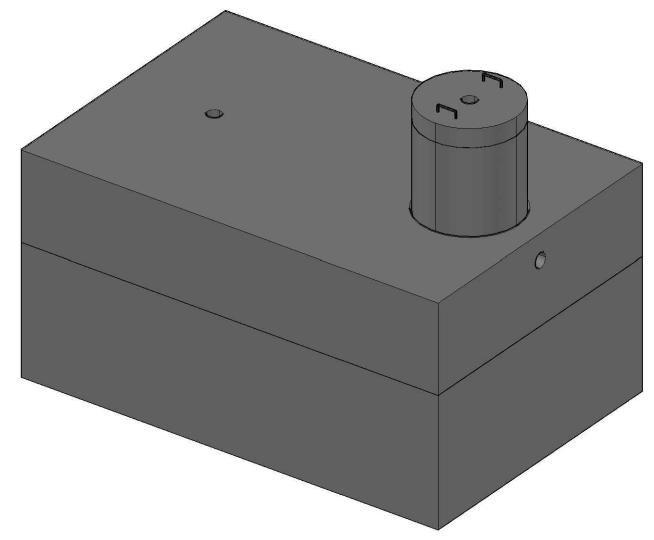
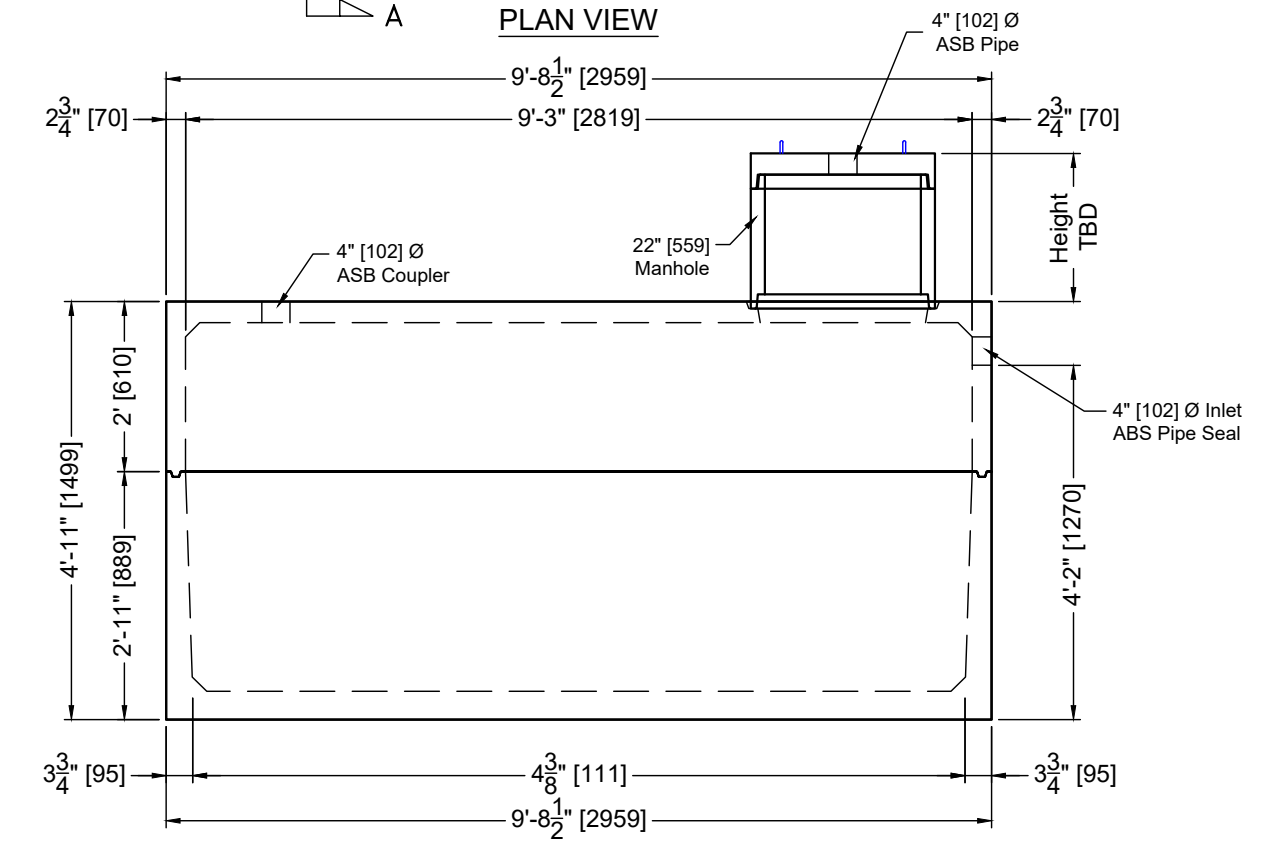


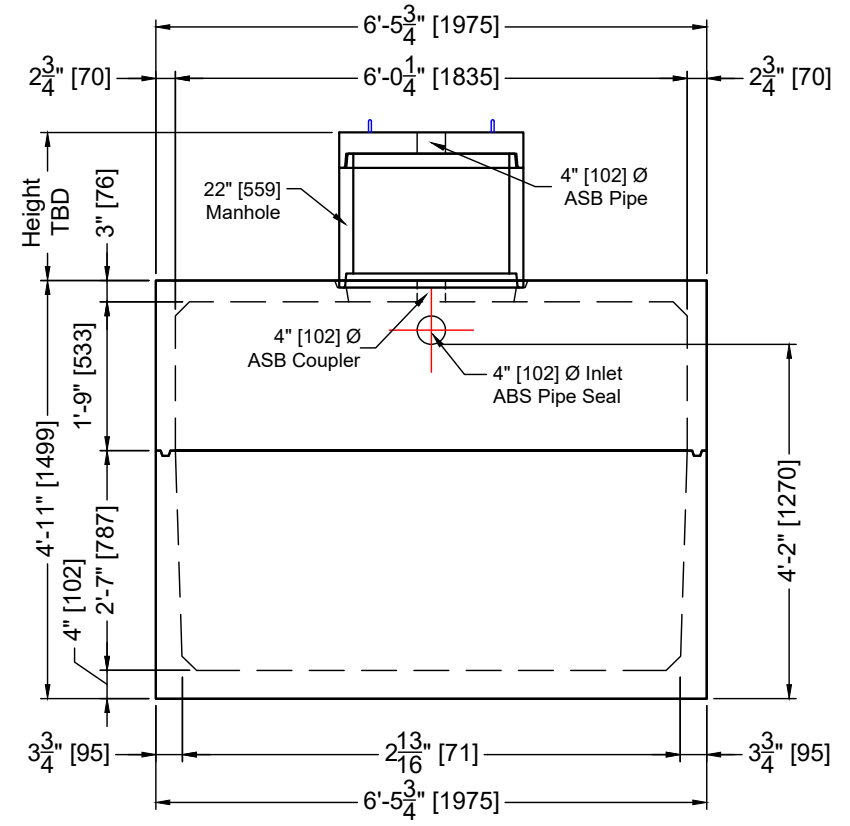
PLAN VIEW



ISOMETRIC VIEW



SECTION A-A

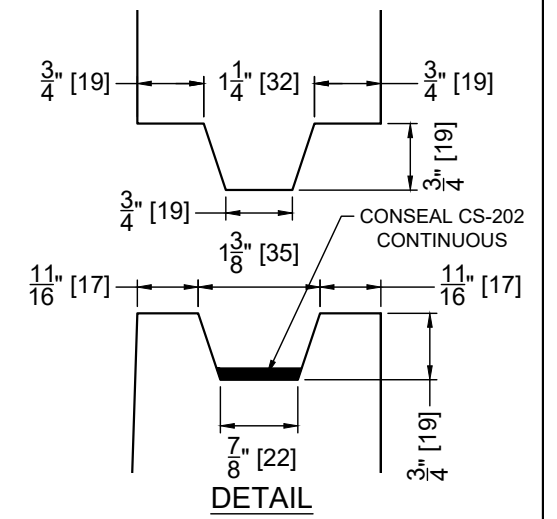


SECTION B-B

CONCRETE	RELEASE	MPa	20		
	28 DAY:	MPa	35		
	AIR CONTENT:		6% ± 1%		
	WEIGHT:	kg	5350	VOLUME	m <sup>3</sup>
STRAND	TYPE:	kg/m <sup>3</sup>	2402		
		mm	-		
MARK	DESCRIPTION	QTY.			



Hwy 39 & Range Road 2150 - PO Box 521  
Weyburn, SK S4H 2K3 - NE-25-08-15 W2M  
WWW.SVIPRECAST.COM



DETAIL

- NOTES:
- 1) CERTIFIED TO CSA B66-16
  - 2) MAX COVER = 7' (2133mm)
  - 3) CEMENT : PORTLAND CEMENT TYPE 50(HS)
  - 4) Max AGGREGATE SIZE: 20mm
  - 5) 28 DAY STRENGTH: MIN. 35 MPa.
  - 6) ENTRAINED AIR: 6%±1%
  - 7) REINFORCING TO CAN/CSA-G30.18 400 MPa
  - 8) ALL UNITS ARE IN MILLIMETERS UNLESS OTHERWISE NOTED.

DWG. NO.	REFERENCE	NO.:	REVISION DESCRIPTION	BY	APP'D	DATE	DRW BY	SWM	2018/09/28
-	-	A	ISSUED PLAN	-	-	2018/09/28	CH'K BY	-	-
-	-	-	-	-	-	-	AP'D BY	-	-
-	-	-	-	-	-	-	AP'D BY	-	-
-	-	-	-	-	-	-	SCALE: NTS	PAGE: 1 OF 1	

TITLE:	1500 Gallon Low Profile 2 Piece Holding Tank DETAIL DRAWING
PROJECT NO.:	JOB NO.:
DRAWING NO.:	SVI-HTLP-1500-01A