

A ID	B OD	C THK.	D HEIGHT	E JOINT HT.	F BASE	G SPACING
914	1118	102	610	89	152	305
914	1118	102	914	89	152	305
914	1118	102	1219	89	152	305
914	1118	102	1829	89	152	305

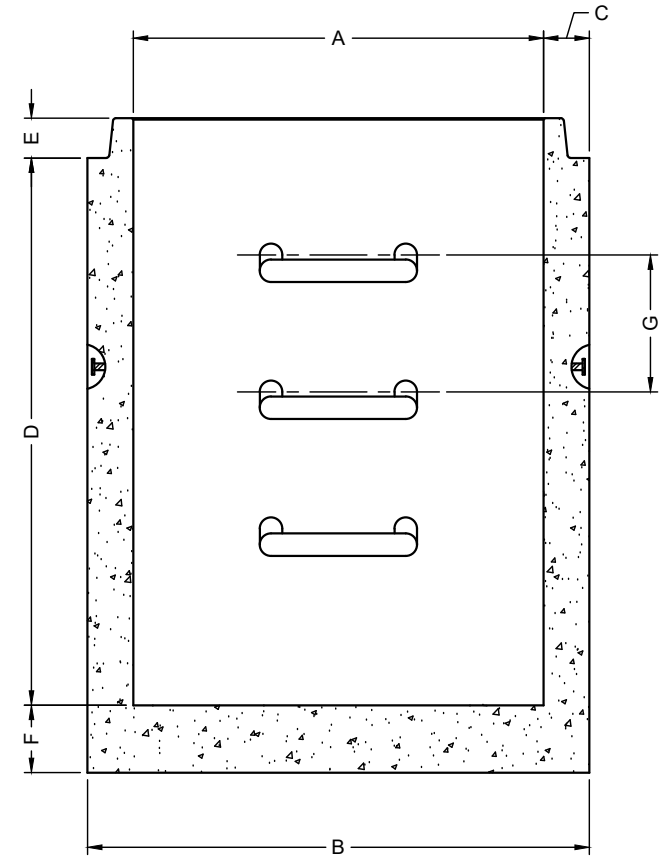
AVAILABLE HEIGHTS	QTY. OF RUNGS	STARCON LIFTING PINS	WEIGHTS [kg]
0.61m [2']	1	4T	826
0.91m [3']	2	4T	1054
1.22m [4']	3	4T	1282
1.83m [6']	5	4T	1739

RELEASE	MPa	20
28 DAY:	MPa	35
AIR CONTENT:		6% ± 1%
WEIGHT:	kg	VOLUME
		m³
TYPE:		kg/m³
		2402
STRAND		mm
		-
		MPa
		-

MARK	DESCRIPTION	QTY.



ISOMETRIC VIEW
NTS



ELEVATION VIEW



- NOTES:
- 1) CEMENT : PORTLAND CEMENT TYPE 50(HS)
 - 2) Max AGGREGATE SIZE: 20mm
 - 3) 28 DAY STRENGTH: MIN. 35 MPa.
 - 4) ENTRAINED AIR: 6%±1%
 - 5) REINFORCING TO CAN/CSA-G30.18 400 MPa
 - 6) ALL UNITS ARE IN MILLIMETERS UNLESS OTHERWISE NOTED.

DWG. NO.	REFERENCE	NO.:	REVISION DESCRIPTION	BY	APP'D	DATE	DRW BY	SWM	2018/11/20
-	-	A	ISSUED PLAN	-	-	2018/11/20	CH'K BY	-	-
-	-	-	-	-	-	-	AP'D BY	-	-
-	-	-	-	-	-	-	AP'D BY	-	-
-	-	-	-	-	-	-	AP'D BY	-	-
-	-	-	-	-	-	-	SCALE: NTS	PAGE: 1 OF 1	

TITLE:	900 MONOBASE DETAIL DRAWING
PROJECT NO.:	JOB NO.:
DRAWING NO.:	SVI-MB-900-01A