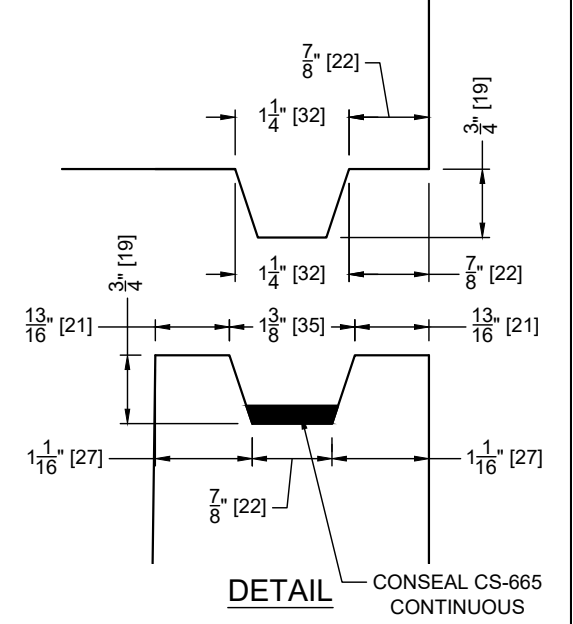
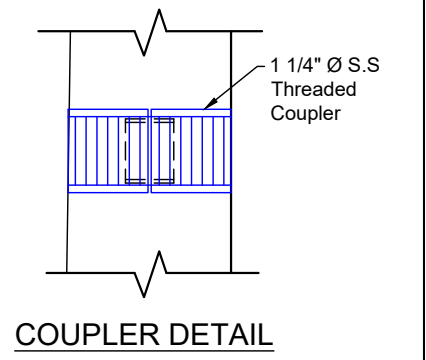
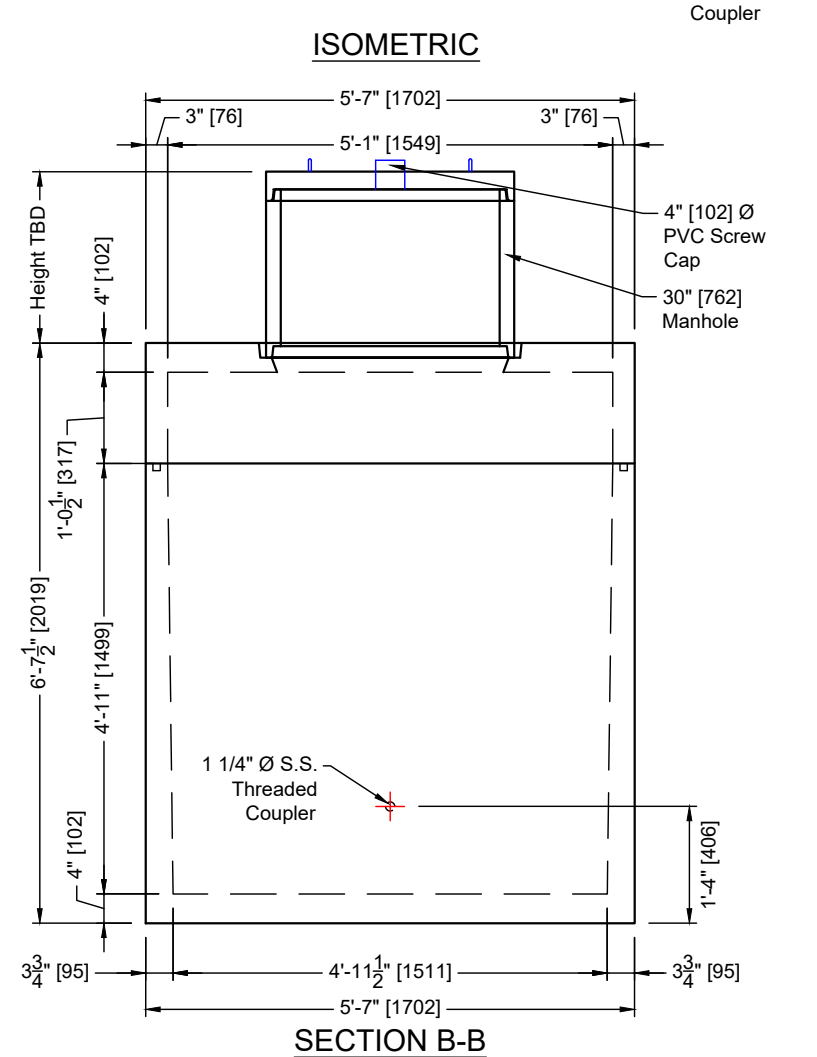
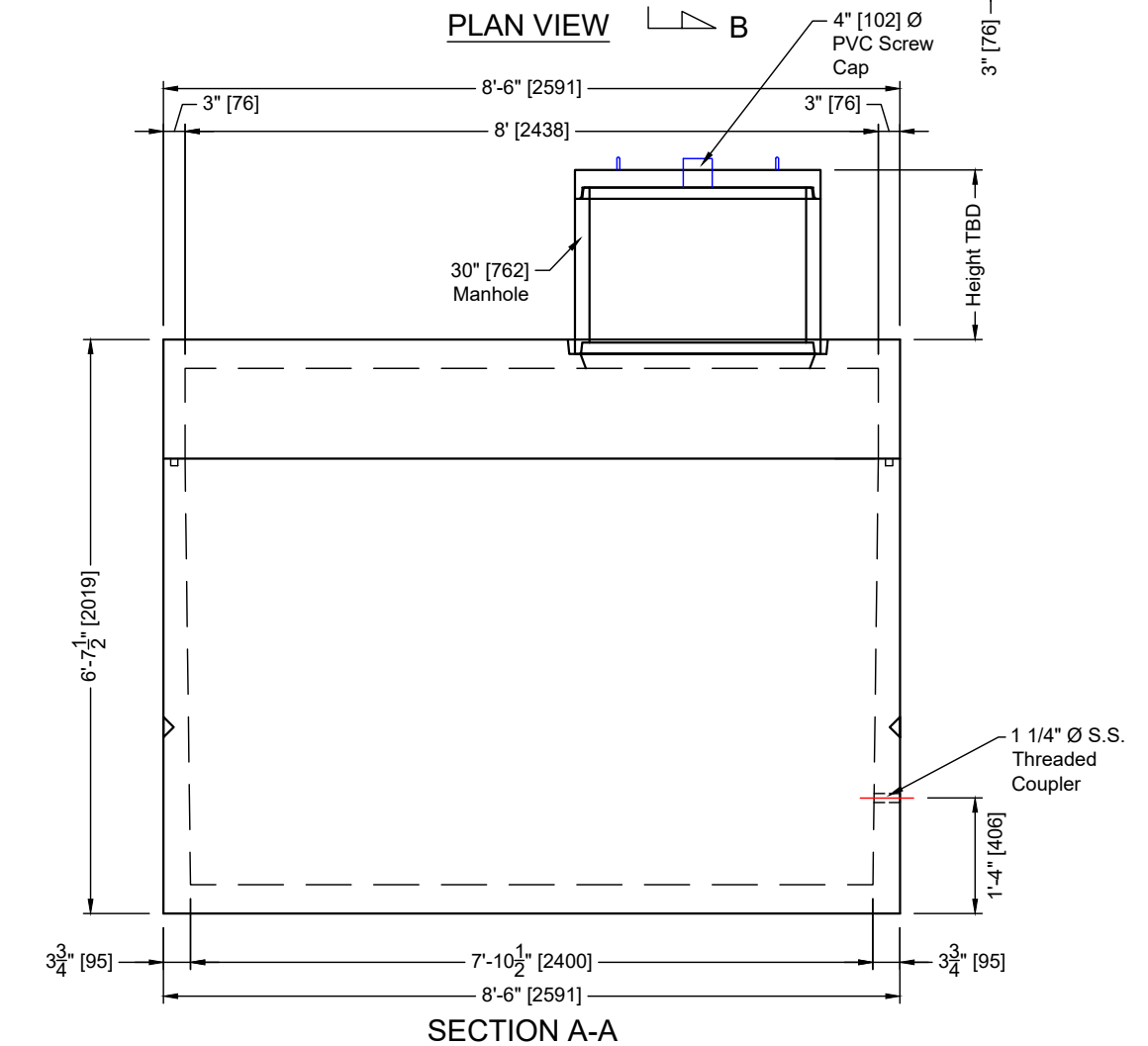
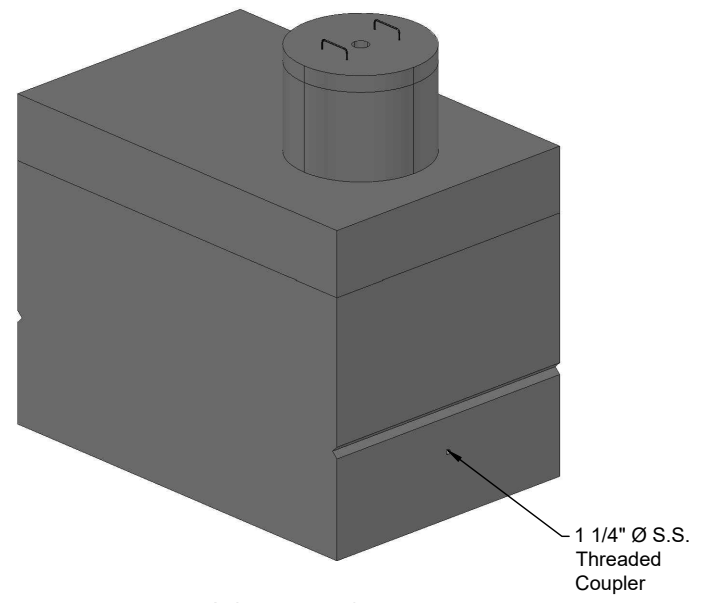
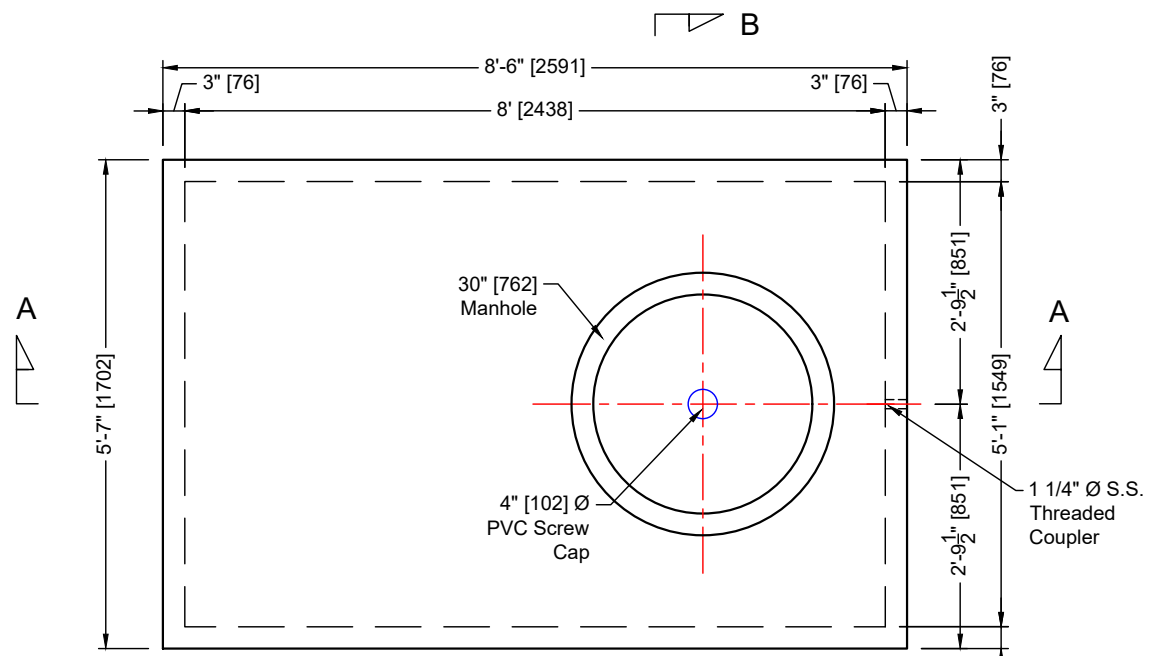


CONCRETE	RELEASE	MPa	20			
	28 DAY:	MPa	35			
	AIR CONTENT:		6% ± 1%			
	WEIGHT:	kg	5250	VOLUME	m ³	2.139
	TYPE:			kg/m ³		2402



Hwy 39 & Range Road 2150 - PO Box 521
Weyburn, SK S4H 2K3 - NE-25-08-15 W2M
WWW.SVIPRECAST.COM



- NOTES:
- 1) MAX COVER = 6' (1829mm)
 - 2) CEMENT : PORTLAND CEMENT TYPE 50(HS)
 - 3) Max AGGREGATE SIZE: 20mm
 - 4) 28 DAY STRENGTH: MIN. 35 MPa.
 - 5) ENTRAINED AIR: 6%±1%
 - 6) REINFORCING TO CAN/CSA-G30.18 400 MPa
 - 7) ALL UNITS ARE IN MILLIMETERS UNLESS OTHERWISE NOTED.

DWG. NO.	REFERENCE	NO.:	REVISION DESCRIPTION	BY	APP'D	DATE	DRW BY	SWM	2020/11/18
-	-	A	ISSUED PLAN	-	-	2020/11/18	CH'K BY	-	-
-	-	-	-	-	-	-	AP'D BY	-	-
-	-	-	-	-	-	-	AP'D BY	-	-
-	-	-	-	-	-	-	AP'D BY	-	-
-	-	-	-	-	-	-	SCALE: NTS	PAGE: 1 OF 1	

TITLE:	1500 Gallon Water Cistern DETAIL DRAWING	
PROJECT NO.:		JOB NO.:
DRAWING NO.:	SVI-WC-1500-01A	