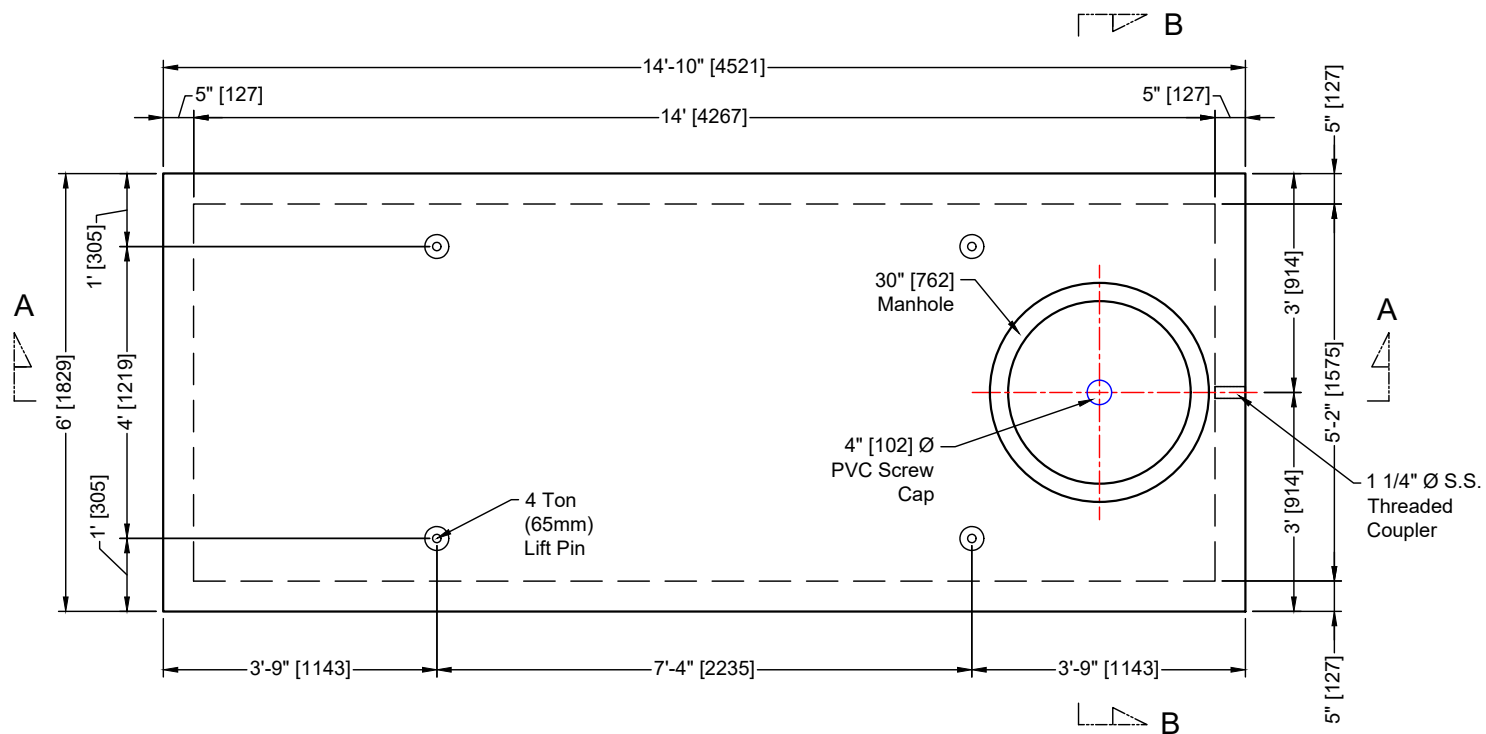


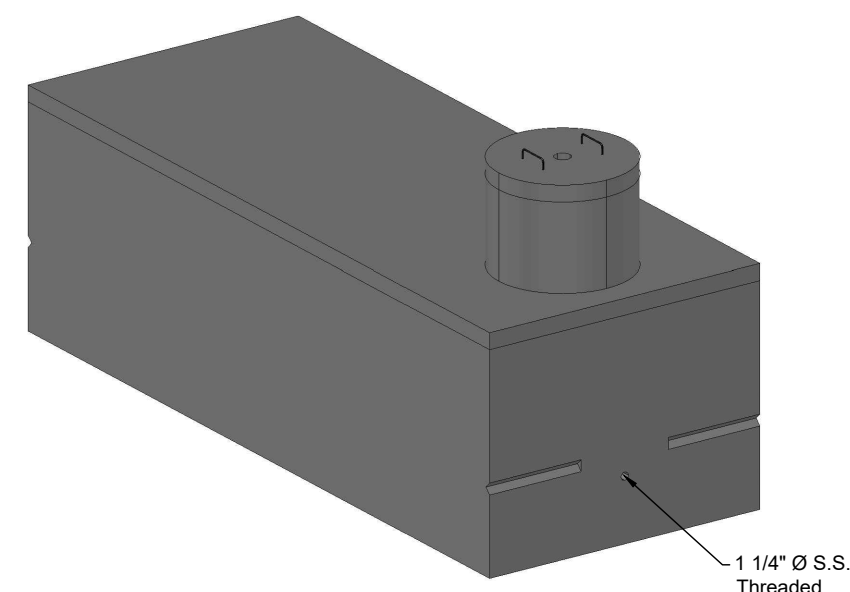
CONCRETE	RELEASE	MPa	20			
	28 DAY:	MPa	35			
	AIR CONTENT:		6% ± 1%			
	WEIGHT:	kg	7500	VOLUME	m <sup>3</sup>	3.16
	TYPE:		kg/m <sup>3</sup>	2402		



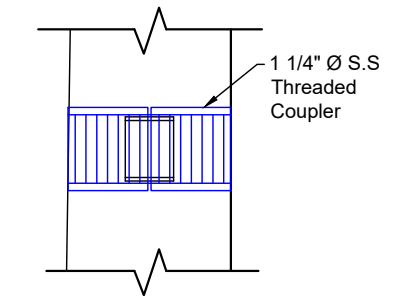
**SOURIS VALLEY INDUSTRIES**  
 Hwy 39 & Range Road 2150 - PO Box 521  
 Weyburn, SK S4H 2K3 - NE-25-08-15 W2M  
 WWW.SVIPRECAST.COM



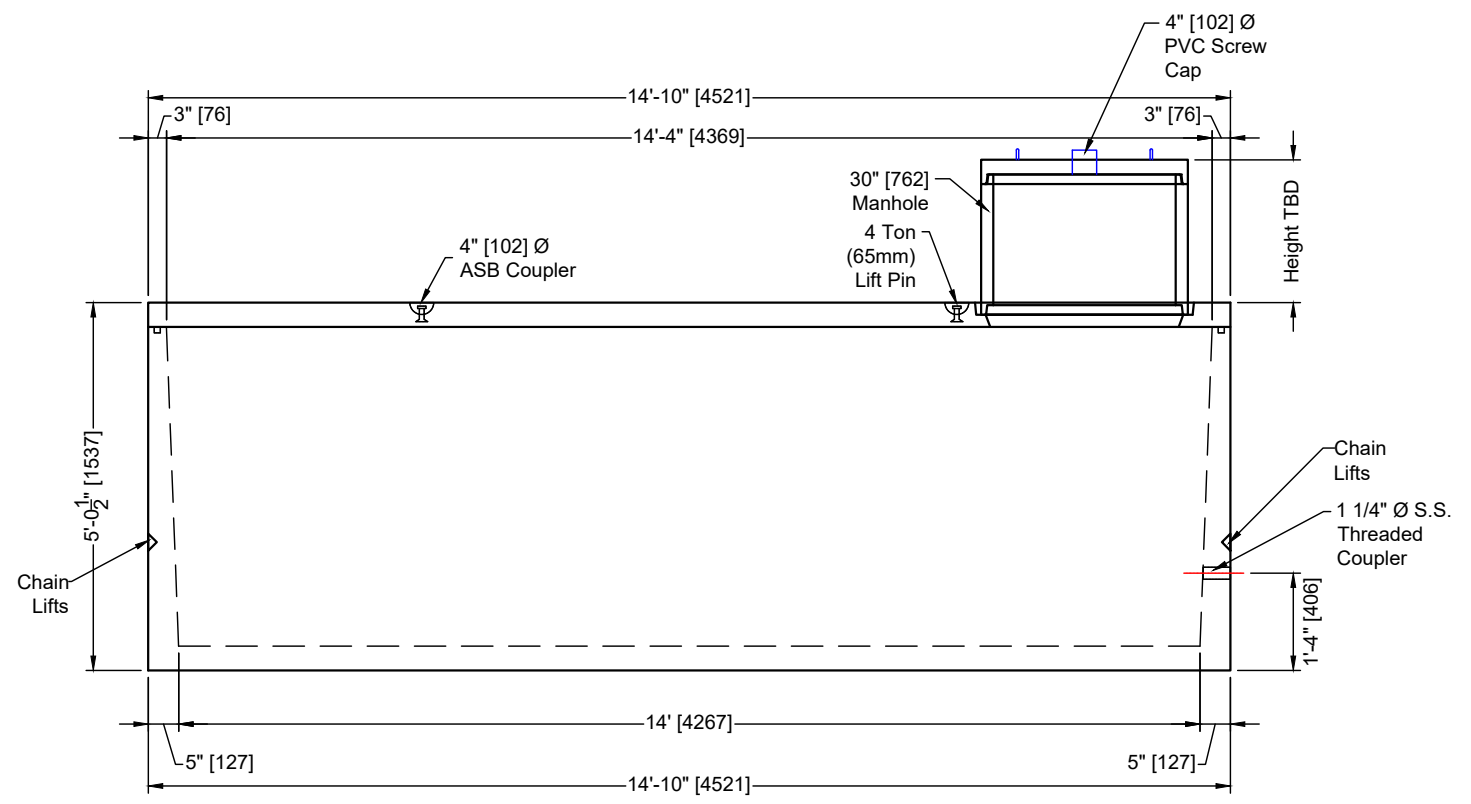
**PLAN VIEW**



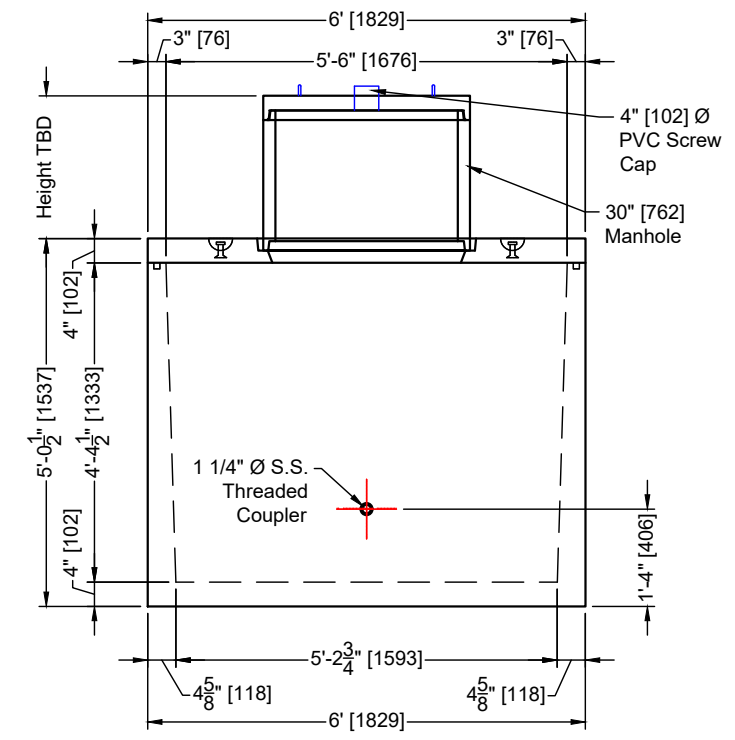
**ISOMETRIC**



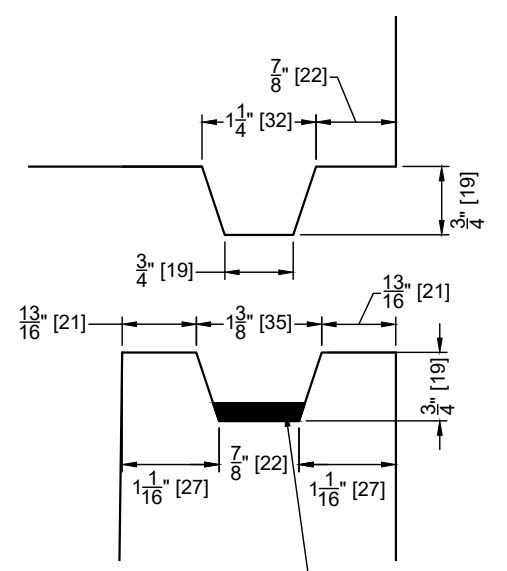
**COUPLER DETAIL**



**SECTION A-A**



**SECTION B-B**



**DETAIL**

- NOTES:**
- 1) MAX COVER = 6" (1829mm)
  - 2) CEMENT : PORTLAND CEMENT TYPE 50(HS)
  - 3) Max AGGREGATE SIZE: 20mm
  - 4) 28 DAY STRENGTH: MIN. 35 MPa.
  - 5) ENTRAINED AIR: 6%±1%
  - 6) REINFORCING TO CAN/CSA-G30.18 400 MPa
  - 7) ALL UNITS ARE IN MILLIMETERS UNLESS OTHERWISE NOTED.

DWG. NO.	REFERENCE	NO.:	REVISION DESCRIPTION	BY	APP'D	DATE	DRW BY	SWM	2020/11/18
-	-	A	ISSUED PLAN	-	-	2020/11/18	CH'K BY	-	-
-	-	-	-	-	-	-	AP'D BY	-	-
-	-	-	-	-	-	-	AP'D BY	-	-
-	-	-	-	-	-	-	SCALE: NTS	PAGE: 1 OF 1	-

**TITLE:** 2000 Gallon Water Cistern DETAIL DRAWING

**PROJECT NO.:** \_\_\_\_\_ **JOB NO.:** \_\_\_\_\_

**DRAWING NO.:** SVI-WC-2000-01A