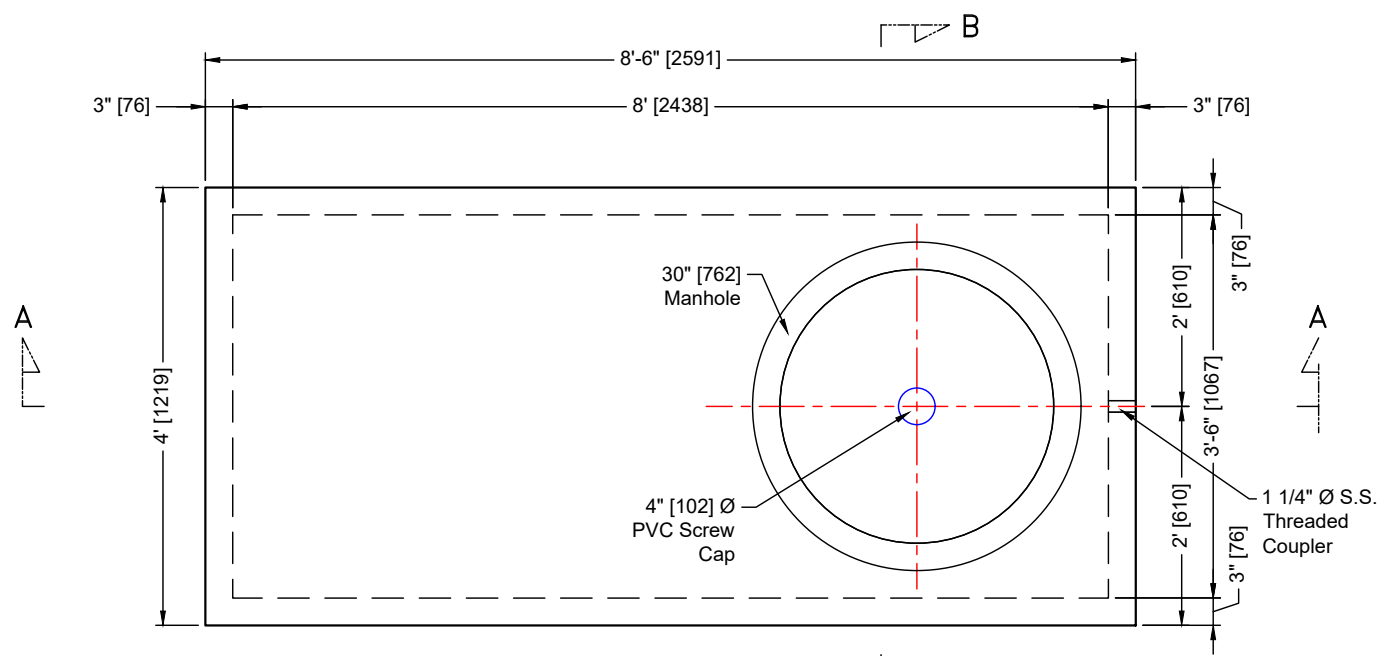


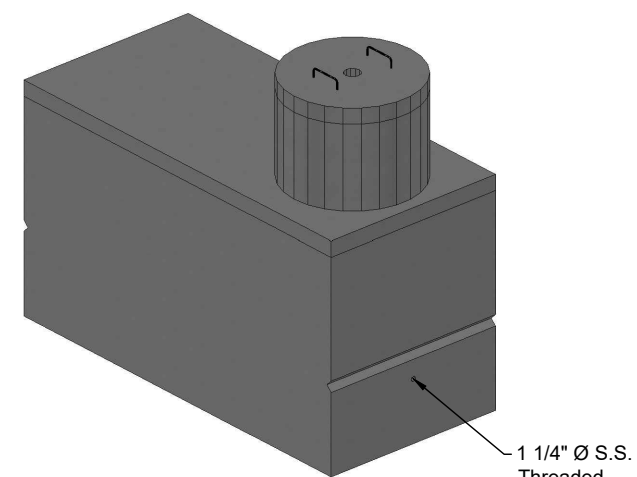
CONCRETE	RELEASE	MPa	20
	28 DAY:	MPa	35
	AIR CONTENT:		6% ± 1%
	WEIGHT:	kg	3360
	VOLUME	m ³	1.34
	TYPE:	kg/m ³	2402



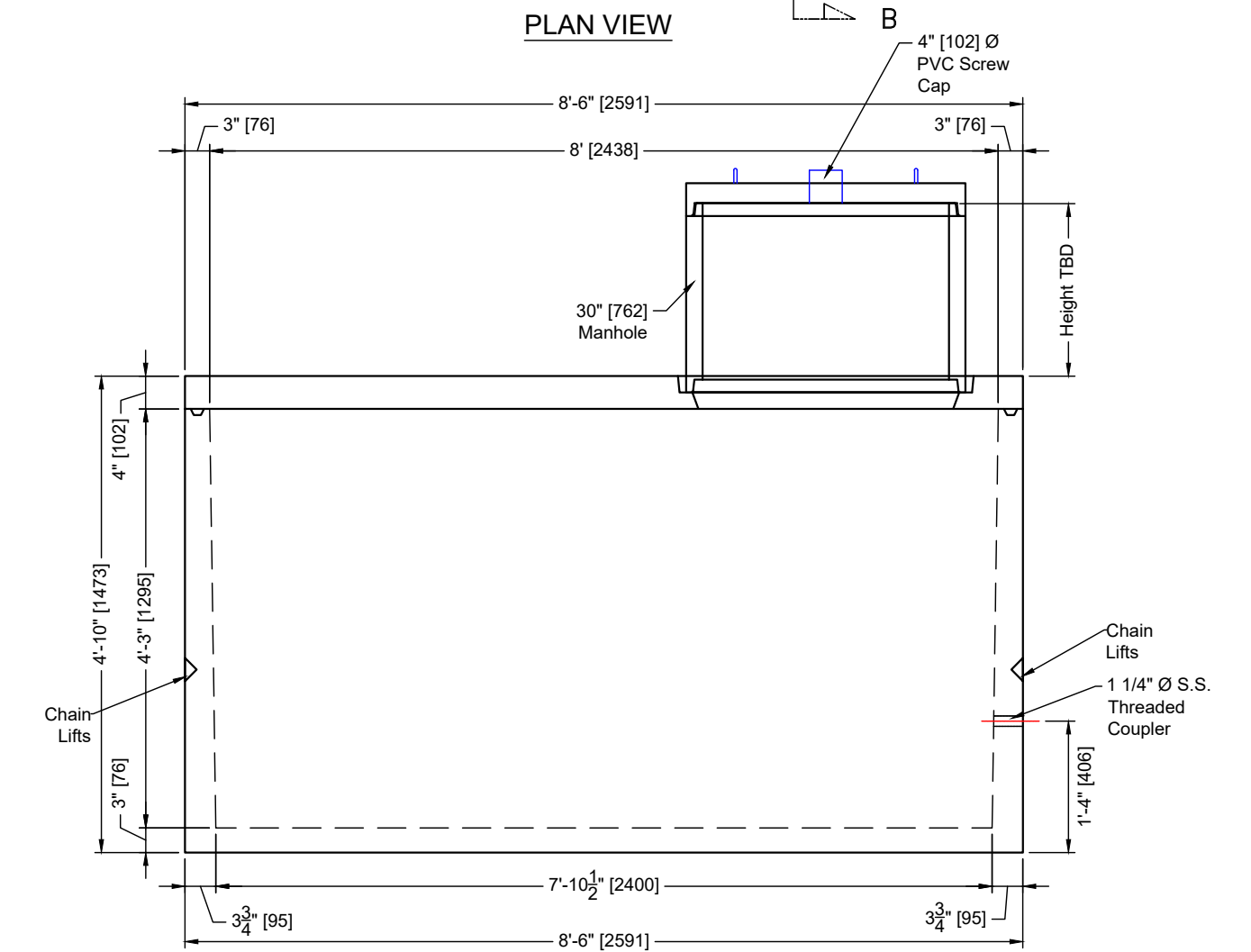
Hwy 39 & Range Road 2150 - PO Box 521
Weyburn, SK S4H 2K3 - NE-25-08-15 W2M
WWW.SVIPRECAST.COM



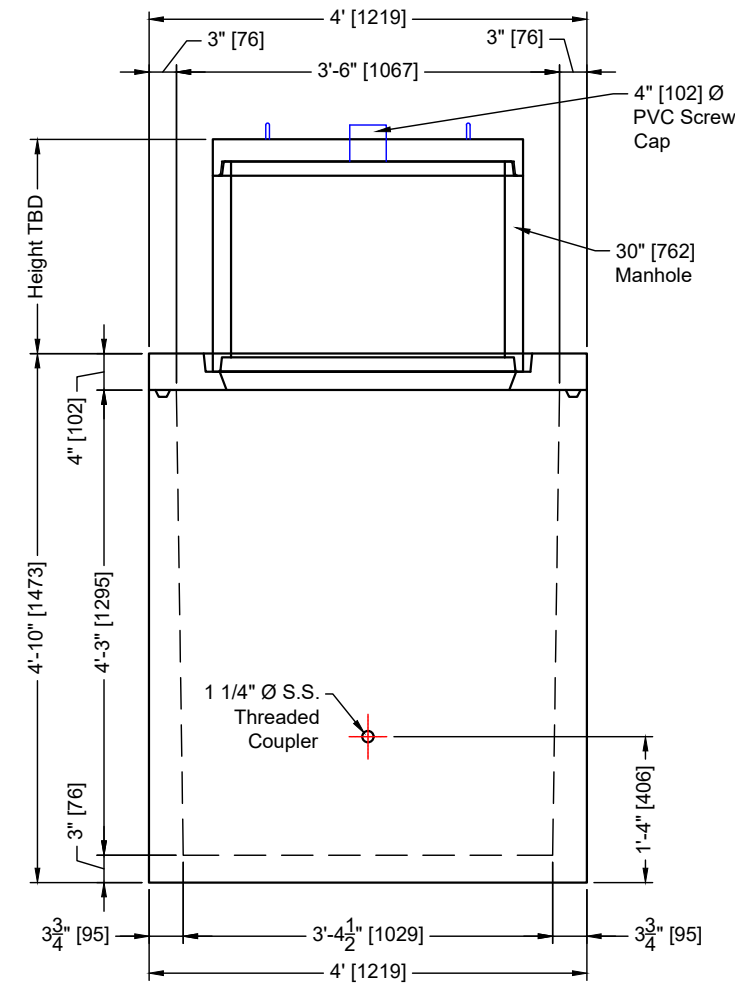
PLAN VIEW



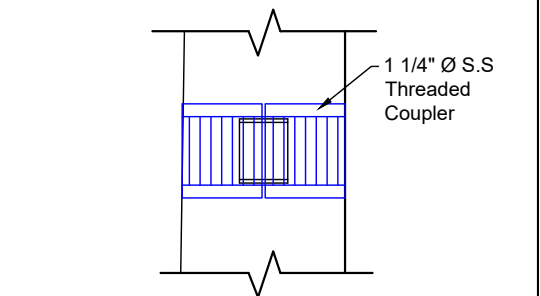
ISOMETRIC



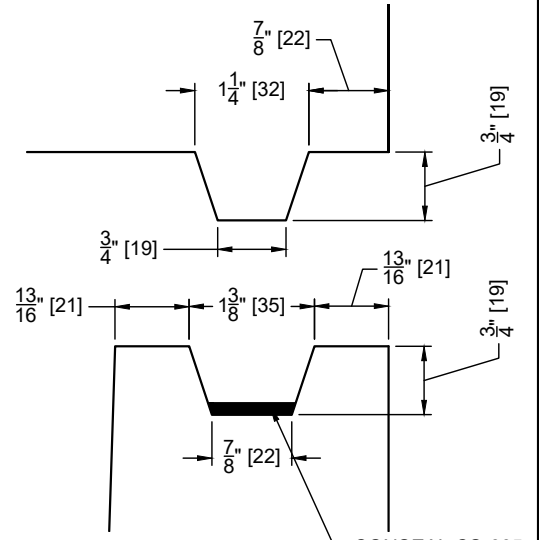
SECTION A-A



SECTION B-B



COUPLER DETAIL



DETAIL

- NOTES:
- 1) MAX COVER = 6" (1829mm)
 - 2) CEMENT : PORTLAND CEMENT TYPE 50(HS)
 - 3) Max AGGREGATE SIZE: 20mm
 - 4) 28 DAY STRENGTH: MIN. 35 MPa.
 - 5) ENTRAINED AIR: 6%±1%
 - 6) REINFORCING TO CAN/CSA-G30.18 400 MPa
 - 7) ALL UNITS ARE IN MILLIMETERS UNLESS OTHERWISE NOTED.

DWG. NO.	REFERENCE	NO.:	REVISION DESCRIPTION	BY	APP'D	DATE	DRW BY	SWM	2020/11/13
-	-	A	ISSUED PLAN	-	-	2020/11/13	CH'K BY	-	-
-	-	-	-	-	-	-	AP'D BY	-	-
-	-	-	-	-	-	-	AP'D BY	-	-
-	-	-	-	-	-	-	SCALE: NTS	PAGE: 1 OF 1	

TITLE: **720 Gallon Water Cistern DETAIL DRAWING**

PROJECT NO.: _____ JOB NO.: _____

DRAWING NO.: **SVI-WC-720-01A**